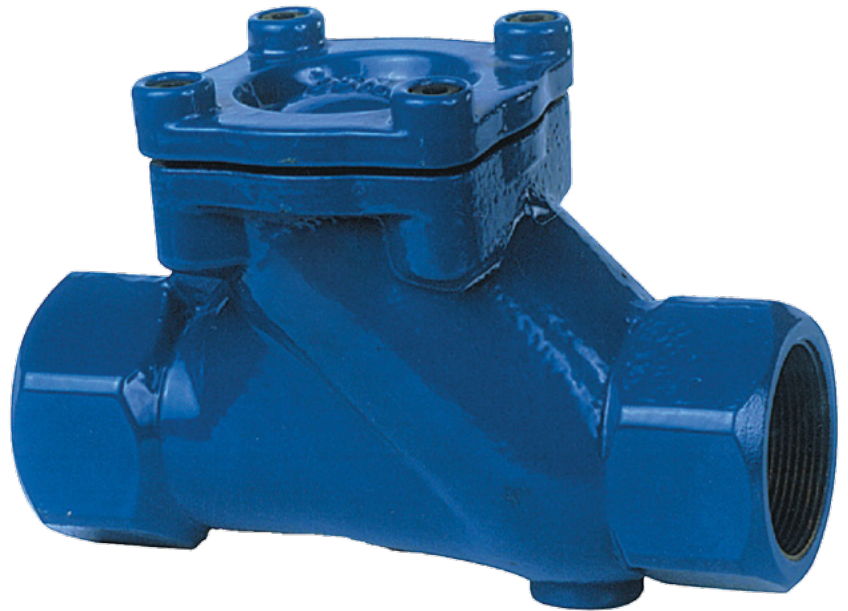




ABO

PN 10/16
DN 32–50 (1¼"–2")



PN 10/16
DN 50–400 (2"–16")

BALL CHECK VALVES

WWW.ABOVALVE.COM

FLANGED VERSION

APPLICATIONS

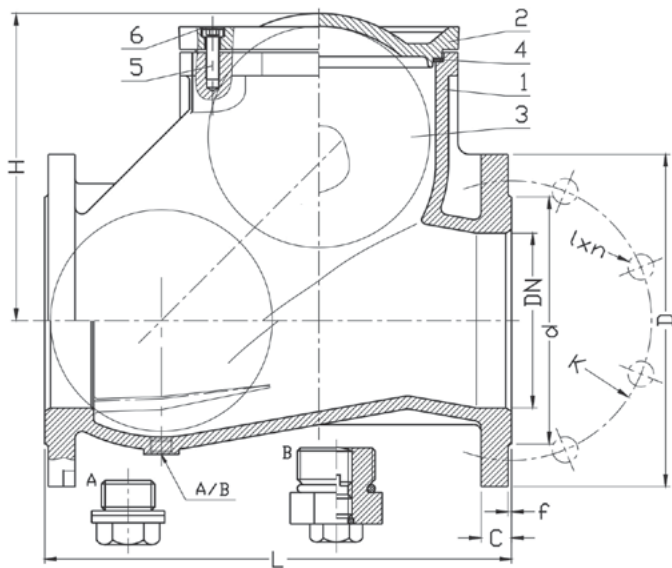
- Wastewater, sewage, thick and viscous liquids, potable water

STANDARDS

Face to face acc. to EN 558-1
 Connection between flanges acc. to EN 1092-2

WORKING CONDITIONS

Temperature range: -10 °C to +70 °C (NBR)
 -10 °C to +120 °C (EPDM)
 Max. working pressure: 10 bar / 16 bar



Pos.	Name	Material
1	Body	Ductile cast iron GGG40 EN-GJS-400-15 / Grey cast iron GG25 EN-GJL-250
2	Bonnet	Ductile cast iron GGG40 EN-GJS-400-15 / Grey cast iron GG25 EN-GJL-250
3	Ball	Ductile cast iron GG25 EN-GJL-250 / Aluminium / NBR / EPDM
4	Gasket	NBR
5	Screw	Steel Fe/Zn5 / Stainless steel
6	Screw stopper	Wax

DN	PN (bar)	L	H	d	D	K	I	C	f	n	Weight (kg)
50	16	200	113	102	165	125	19	19	3	4	8
65	16	240	126	122	185	145	19	19	3	4	13
80	16	260	162	138	200	160	19	19	3	8	17
100	16	300	194	158	220	180	19	19	3	8	24
125	16	350	214	188	250	210	19	19	3	8	34
150	16	400	260	212	285	240	23	19	3	8	52
200	16	500	320	268	340	295	23	20	3	12	83
250	16	600	365	319	405	355	28	22	3	12	136
300	16	700	427	370	460	410	28	25	4	12	229
200	10	500	320	268	340	295	23	20	3	8	83
250	10	600	365	319	405	350	23	22	3	12	136
300	10	700	427	370	460	400	23	25	4	12	229
350	10	800	427	429	520	460	23	27	4	16	260
400	10	900	537	480	580	515	28	28	4	16	395

Dimensions are mentioned in mm.

THREADED VERSION

APPLICATIONS

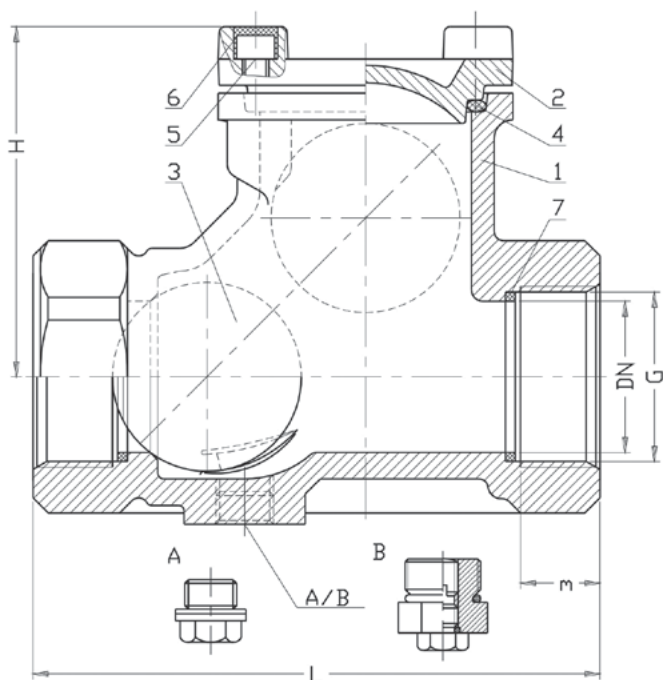
- Wastewater, sewage, thick and viscous liquids, potable water

STANDARDS

Thread connections acc. to EN 10226-1

WORKING CONDITIONS

Temperature range: -10 °C to +70 °C (NBR)
 -10 °C to +120 °C (EPDM)
 Max. working pressure: 10 bar / 16 bar



Pos.	Name	Material
1	Body	Grey cast iron GG25 EN-GJL-250 / Ductile cast iron GGG40 EN-GJS-400-15
2	Bonnet	Ductile cast iron GGG40 EN-GJS-400-15
3	Ball	Aluminium / NBR / EPDM
4	Gasket	NBR / EPDM
5	Screw	Steel Fe/Zn5 / Stainless steel
6	Screw stopper	Wax
7	Gasket	NBR / EPDM

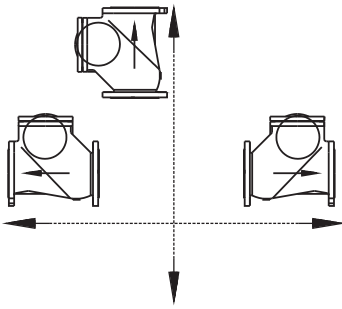
DN	G (cal)	L	m	H	Weight (kg)
32	16	140	18	75	2,2
40	16	150	10	89	3,1
50	16	220	35	113	5,0

Dimensions are mentioned in mm.

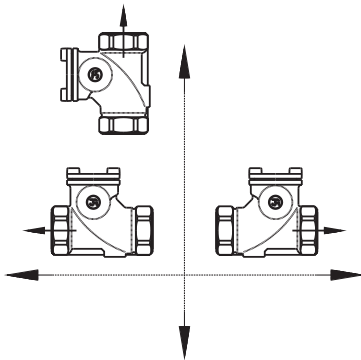
TECHNICAL INFORMATION

INSTALLATION

FLANGED

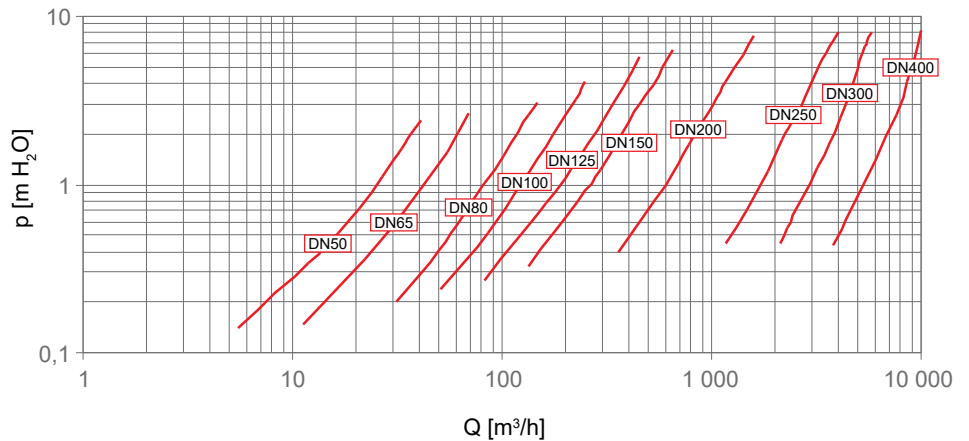


THREADED

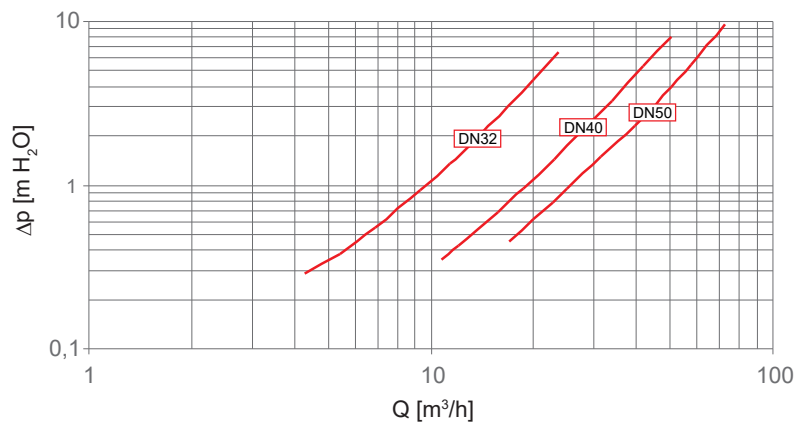


GRAF OF THE PRESSURE LOSSES

FLANGED



THREADED



EUROPEAN UNION
European Regional Development Fund
Operational Programme Enterprise
and Innovations for Competitiveness

All statements, technical information in this brochure are tentative and for general use only and do not constitute a recommendation or guarantee for any specific service or application requirement. Consult ABO representative or factory for specific requirements and material selection for your intended application. The right to change or modify product design or product without prior notice is reserved. Binding specification will be provided in each offer. ABO valve accepts no liability for damages caused by bad interpretation or use of the information included in this brochure.

1. 1. 2019

Data subject to change.

Company HQ – Czech Republic:
ABO valve s.r.o.
Dalimilova 285/54, 783 35 Olomouc
Tel.: +420 585 224 087
Email: export@abovalve.com
www.abovalve.com

USA:
ABO Controls, LLC
Houston, Texas
Tel.: +1 (281) 930-7126
Email: salesUSA@abovalve.com
www.abocontrols.com

Singapore:
ABO Valve Pte. Ltd.
Singapore
Tel.: +65 9169 4562
Email: lsw@abovalve.com
www.abovalve.com

Slovakia:
ABO Slovakia s.r.o.
Banská Bystrica
Tel.: +421 484 145 633
Email: aboslovakia@aboslovakia.sk
www.aboslovakia.sk

Bahrain:
ABO Middle East
Manama
Tel.: +973-3444 9065
Email: jimichen@abovalve.com
www.abovalve.com

United Arab Emirates:
ABO UAE
Abu Dhabi
Tel.: +971 56 9207964
Email: bharti@abovalve.com
www.abovalve.com

Germany:
ABO Armaturen GmbH
Mönchengladbach
Tel.: +49 2166 310 16 76
Email: salesDE@abovalve.com
www.abo-armaturen.de

Russia:
ABO ARMATURA LLC
Smolensk
Tel.: +7(4812) 240 020
Email: aboarmatura@yandex.ru
www.aboarmatura.ru

Brazil:
ABO do Brasil Válvulas
Industriais Eireli
Valinhos
Email: export@abovalve.com
www.abovalve.com

Ukraine:
ABO Ukraine LLC
Dnipro
Tel.: +38 056 733 95 70
Email: a.marushchak@abovalve.com
www.abovalve.com.ua

Turkey:
ABO Armaturen LTD STI
Istanbul
Tel.: +90-216 527 36 34
Email: m.sahin@abovalve.com
www.abovalve.com

China:
ABO Flow Control
Shanghai
Tel.: +86 13601522831
Email: wen@abovalve.com
www.abovalve.com

India:
ABO Controls Pvt. Ltd.
Mumbai
Tel.: +91 99 2002 9994
Email: dsouza@abovalve.com
www.abovalve.com