

# ABO valve

Industrial Valve Manufacturer

## TRIPLE OFFSET BUTTERFLY VALVES

### Body design

Interflanged

**WAFER** type with through holes

**LUG** type with threaded holes

Double flanged

With through holes

### Nominal size

DN80 - DN500

### Working pressure

25 bar / 40 bar / 50 bar

### Flange connection

PN10 / PN16 / PN25 / PN40

Class 150 / Class 300

### Working temperature

-60 °C / +500 °C 10 °C / +80 °C

### Working media

Waste water  
Supply water  
Potable water  
Hot industrial water  
Crude oil / Petroleum products  
Fuel / Oil / Oil derivatives  
Pulp / Paper stock  
Natural gas  
Coke oven gas  
Exhaust gas  
Steam  
Condensate  
Air  
Bitumen (Asphalt)

### Tightness

Class A/B

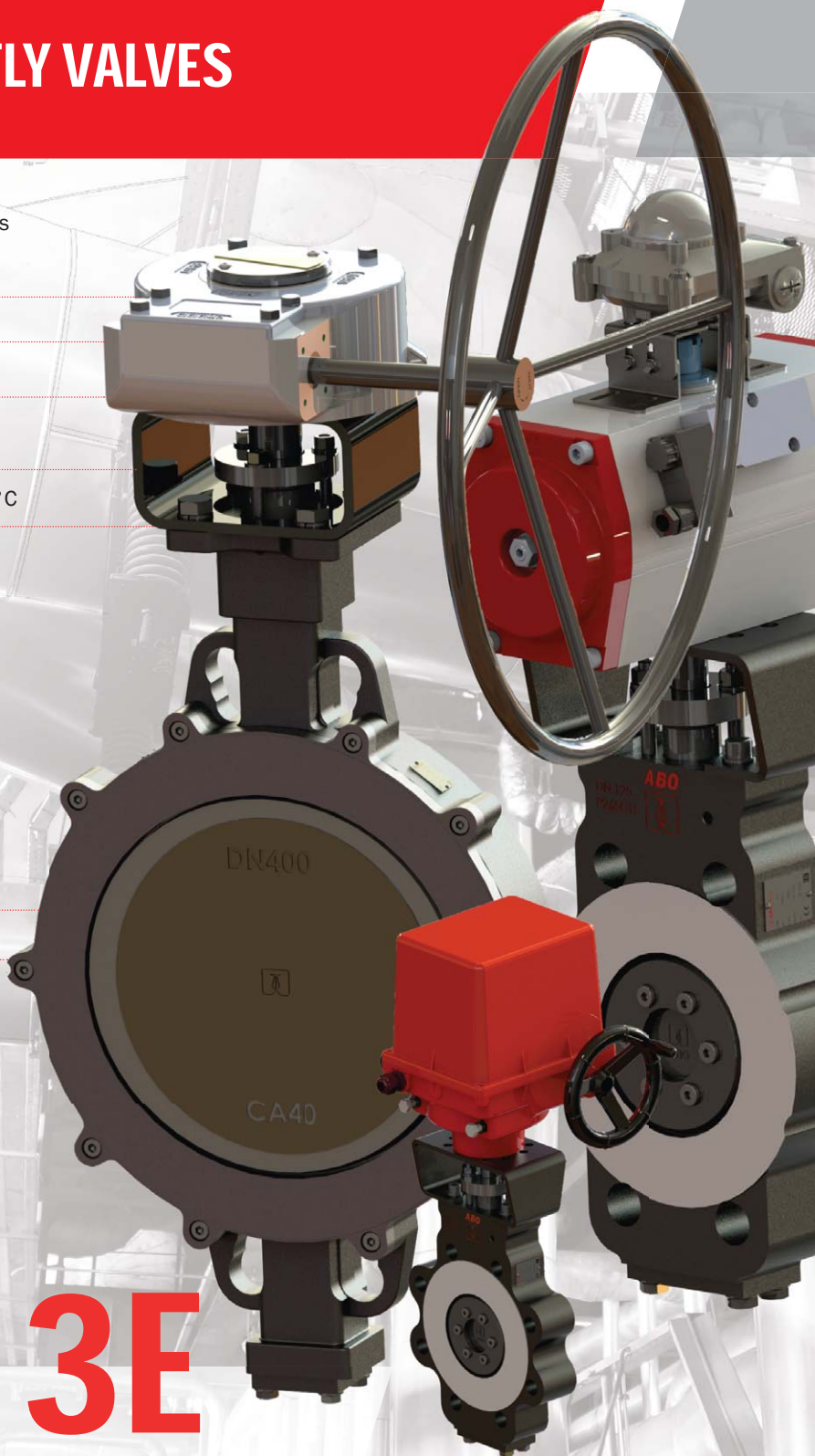
### Features

#### **Eccentric seat design**

Stellited performance  
ATEX performance \*)  
TA-Luft stuffing box \*)  
SIL2/SIL3 certification \*)

#### **Double-flanged version**

\*) upon request



# SERIES 3E

power line

[www.abovalve.com](http://www.abovalve.com)

# GENERAL VALVE DESCRIPTION

Industrial Valve Manufacturer

## The 3E-series triple offset butterfly valves

are industrial fittings intended for full opening or closing flow. They may be also used for a rough flow control. They are designed for operation in very hard industrial conditions demanding safety, reliability and minimum maintenance like for example:

- power industry
- crude oil and natural gas
- refineries
- chemical and petrochemical industry
- metallurgy (and heavy industry in general)
- pulp and paper-making industry
- mining industry
- heat recovery, steam heating
- hydrocarbons processing
- fuel storage in aviation industry
- food industry

## Basic properties

- triple offset disc design
- bidirectional design
- version with nitrided disc (valid for DN150 to DN500)
- stellited disc for larger sizes on the customers' demand
- used like shut-off or control fittings
- excellent tightness (tested according to international standards with high-pressure water or low-pressure air without visible leakage)
- easy operation, repairs and maintenance
- easy assembly in piping
- eccentric disc position in the body. Precise connection of the disc with the stem and pivot. Exact shaft and pivot bearing in the slide bushings.
- split sealed stem - bigger Kv
- standardized top flange according to ISO 5211 enabling mount various actuator types (electric, pneumatic, hydraulic)
- ATEX certified for explosive atmosphere
- option: TA-Luft sealed valve with special shaft gland



## Type designation

3 5 L 4 B 150

— Nominal size (DN)

— Body design

B - AFER W body type with th holes reared

T - LUG body type with tapped holes

F - double-flange body type with through holes

— Disc material

7 - stainless steel 1.4539 (Uranus B6, AISI 904L)

4 - stainless steel 1.4408 (A351 CF8M) nitridated / stainless steel 1.4027 (Ca40) nitridated

4s - stainless steel 1.4408 (A351 CF8M) + stellite nitridated / stainless steel 1.4027 (CA40) + stellite nitridated

— Seat material

L - lamellar - stainless steel 1.4401 (AISI 316) + graphite / stainless steel 1.4462 + graphite

— Body material

7 - stainless steel 1.4539 (Uranus B6, AISI 904L)

6 - low carbon steel 1.1156 (A352 LCC) / 1.0566

6s - low carbon steel 1.1156 (A352 LCC) / 1.0566 + stellite

5 - carbon steel 1.0625 (A216 WCB) / 1.4025

5s - carbon steel 1.0625 (A216 WCB) / 1.4025 + stellite

4 - stainless steel 1.4408 (A351 CF8M) / 1.4401 (AISI 316)

4s - stainless steel 1.4408 (A351 CF8M)

/ 1.4401 (AISI 316) + stellite

— Series designation

Series 3E

## Standards

### Leak test

EN 12266-1, Class A/B (A: liquids, B: gas)

ISO 5208, Class A/B

API 598, Table 5

ANSI/FCI 70-2, Class IV

### Face to face length

#### Interflanged design („B”/„T”)

EN 558, Series 20

ISO 5752, Series 20

API 609, Category B

#### Double flanged design

EN 558, Series 13

ISO 5752, Series 13

API 609, Category B (short face-to-face length)

### ATEX performance

According to 2014/34/EU

Zones - 0, 1, 20, 21

Mining industry Group I, Category M1

Group II, Category 1G/2GD TX

### Fire safe design

EN ISO 10497

API 607

### Flange connection

EN 1092-1, 2

ASME B16.5

### Top flange

EN ISO 5211

### Working standard

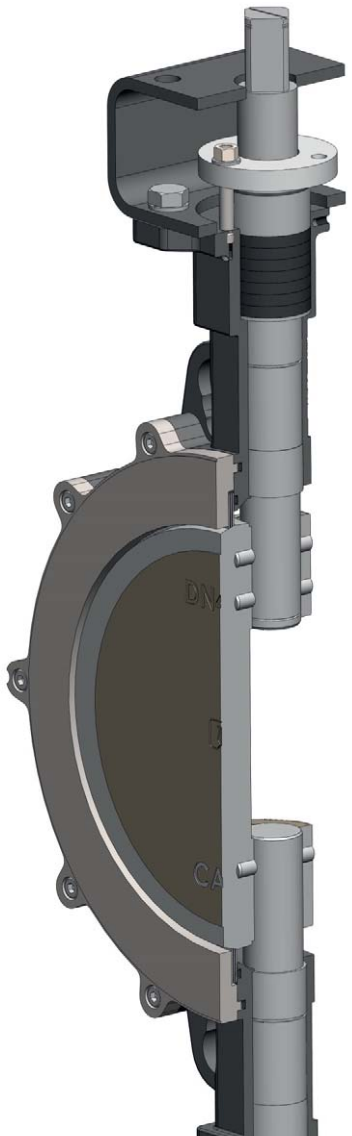
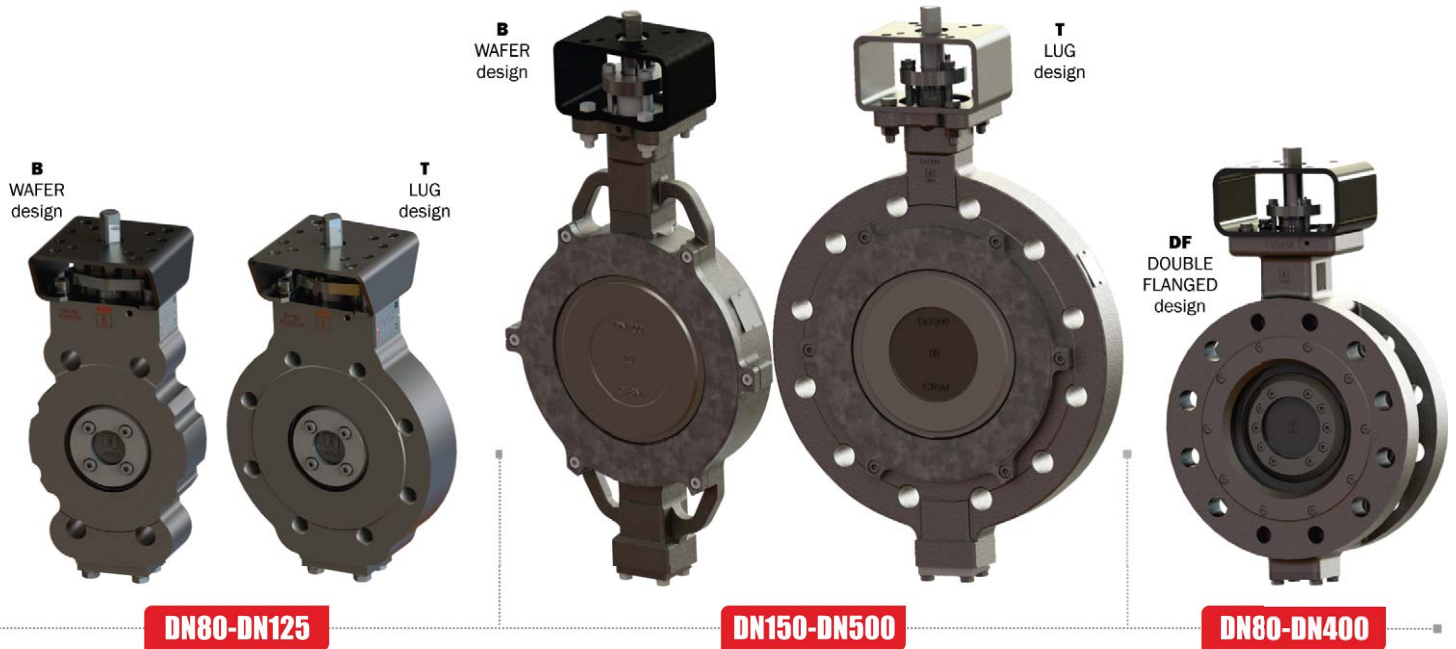
EN 593, API 609

### Marking

EN 19

2 / ABO Valve Czech

# VALVE MODELS



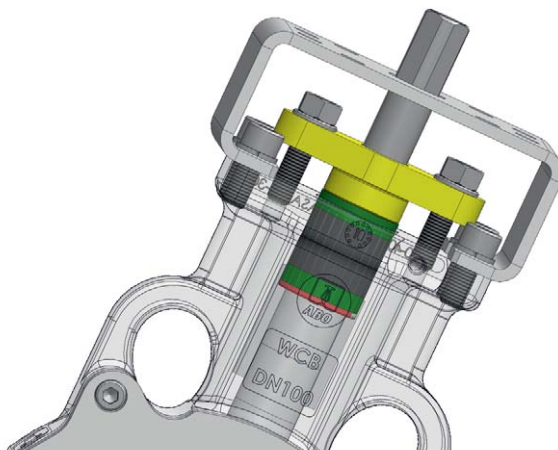
Graphite stem stuffing box

## Advantages of triple offset valves

- two-piece stem (wafer/lug types DN150 to DN500)
- large flow zone
- lower pressure loss, higher Kv
- during opening and shutting the valve the **sealing ring does not rub against the seat**. They come to contact only after the valve is entirely shut.
- the seal guarantees perfect stem tightness (graphite, PTFE cord or from other material / on demand **TA-Luft** certification)
- actuator connection can be modified by means of a bracket or the stem can be extended if connected to special actuator types

## Advantages of triple offset valves

- ABO valve production facilities are certified in accordance with ISO 9001:2015 (14001, 45001)
- tightness test procedures according to standards EN 12266-1, ISO 5208, ANSI/FCI 70-2,
- production in accordance with the Pressure Equipment Directive 2014/68/EU (Module H)
- the possibility of issuing inspection certificate 3.1, 3.2
- all the actuators are adjusted and tested while assembled
- all the certificates can be downloaded at [www.abovalve.com](http://www.abovalve.com)



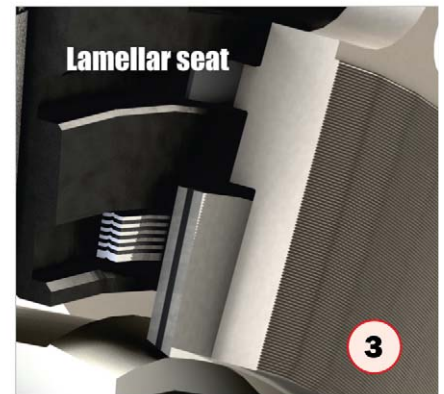
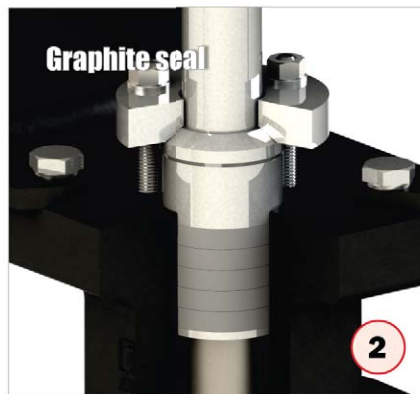
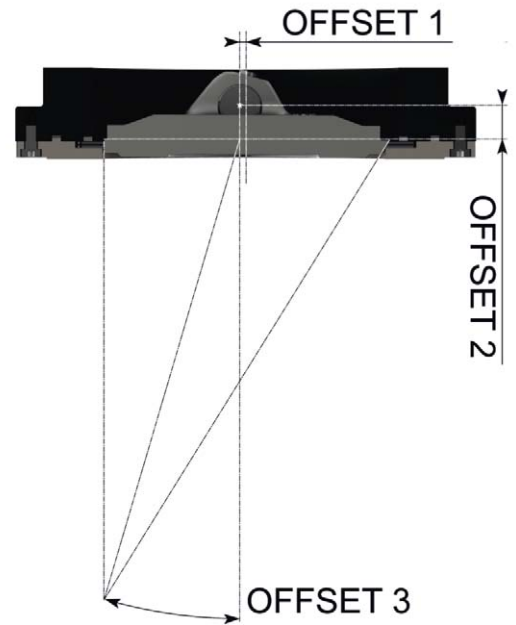
**The stem seal with TA-LUFT certification** for perfect tightness of pollutants into the ambient air (upon request)

# DESIGN ADVANTAGES

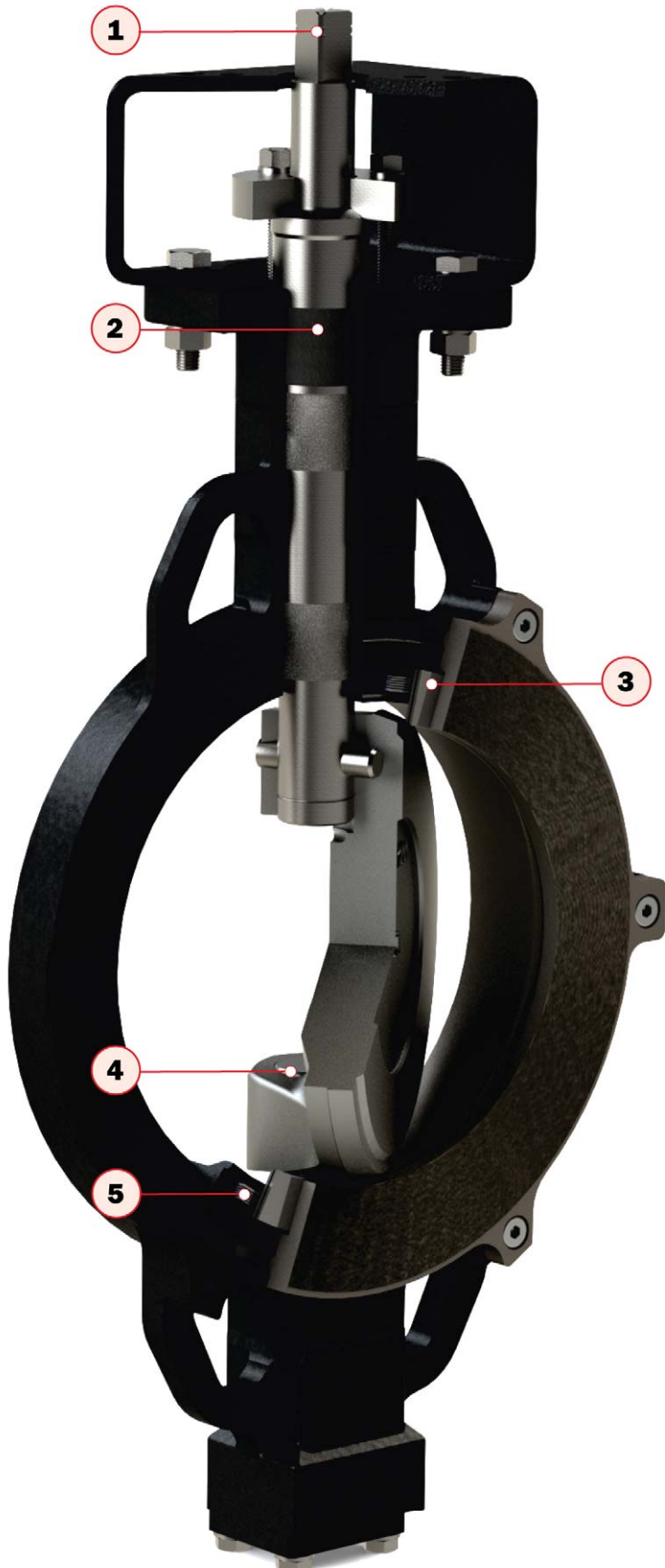
Industrial Valve Manufacturer

## Triple eccentricity

1. Stem axis offset off the pipeline main axis.
  2. Stem axis offset off the seal area.
  3. Seat cone axis is off the pipeline main axis
- the triple eccentricity design contributes to very effective principle of Metal-Metal sealing, which is mainly intended for sealing high parameters of both pressures and temperatures. Properly designed geometry eliminates friction between the seating surfaces of the sealing TRIM, which helps the long lifetime of the valve. The main sealing node consists of a high-precision sealing pair with a special geometry of the offset cone.



# DESIGN ADVANTAGES



## 1. Interchangeable actuators

- standardized top flange according to ISO 5211 enables to mount manual control or actuators.
- High valve neck enables to use insulation and to provide thermal protection of handling equipment on the ISO flange (protection of actuators).

## 2. Graphite rings gland

- the gland system is composed from a set of graphite sealing rings preventing leaking around the stem.
- Excellent thermal resistance and very good sealing properties are the features of the material used for the gland set. Optimum pressure of the gland set is created by means of the gland flange bolts. For various media operation pressures optimal gland pressures can be generated to ensure correct function and to prevent needless control torque increase.

## 3. Lamellar seal

- the sealing ring is composed of stainless and graphite layers. This set is able to resist high temperatures and provides excellent resistance of the sealing element even during considerable media temperature and pressure fluctuations

## 4. Split stem

- the split stem design considerably decreases pressure loss (achieving higher Kv values)

## 5. Spiral seal

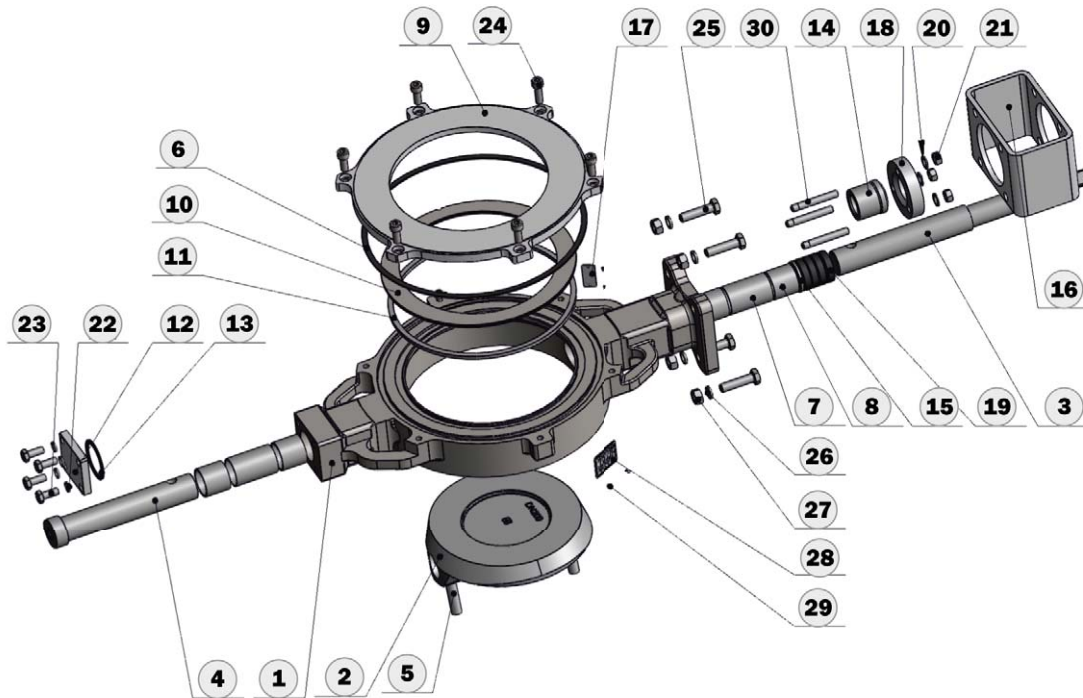
- spiral stainless steel strap with soft graphite fill provides perfect sealing even at high fluctuations of temperature and pressure in pipeline. Excellent sealing features are guaranteed both at high and at low temperatures, i.e. while materials both stretch and shrink.

## 6. Teflon seat

- the valve is designed to minimize friction between the seat and the lamellaring. Suitable surface treatment of the parts (nitriding) contributes to that.

# MATERIALS / WORKING CONDITIONS

Industrial Valve Manufacturer



Item	Name	Material
<b>1</b>	<b>Body **)</b>	6 - low carbon steel 1.1156 (A352 LCC) 5 - carbon steel 1.0625 (A216 WCB) / 1.0425 4 - stainless steel 1.4408 (A351 CF8M)
<b>2</b>	<b>Disc</b>	4 - stainless steel 1.4027 (CA40) nitridated / 1.4408 (A351 CF8M) nitridated 4s - stainless steel 1.4408 (A351 CF8M) + stellite nitridated / stainless steel 1.4027 (CA40) + stellite nitridated
<b>3</b>	<b>Shaft</b>	Stainless steel 1.4021 (AISI 420) / 1.4542 (17-4PH) Duplex stainless steel 1.4462 (2205)
<b>4</b>	<b>Pivot</b>	Stainless steel 1.4021 (AISI 420) / Duplex stainless steel 1.4462 (2205)
<b>5</b>	<b>Pin</b>	Stainless steel 1.4021 (AISI 420) / Duplex stainless steel 1.4462 (2205)
<b>6</b>	<b>Flange sealing</b>	Graphite
<b>7,8</b>	<b>Sleeve</b>	Stainless steel 1.4404 (AISI 316L)
<b>9</b>	<b>Flange</b>	Carbon steel 1.0425 zinc coated / Stainless steel 1.4404 (AISI 316L)
<b>10</b>	<b>Seat</b>	Stainless steel 1.4401 (AISI 316) + graphite / 1.4462 + graphite
<b>11</b>	<b>Spiral sealing</b>	1.4542 + graphite
<b>12</b>	<b>Cover</b>	Carbon steel 1.0425 / Stainless steel 1.4404 (AISI 316)

Item	Name	Material
<b>13</b>	<b>Sealing</b>	Graphite
<b>14 *)</b>	<b>Packing gland</b>	Stainless steel 1.4401 (AISI 316)
<b>15</b>	<b>Washer</b>	Stainless steel 1.4401 (AISI 316)
<b>16</b>	<b>Bracket</b>	Closed profile - 1.0576 / Bent bracket - 1.0553
<b>17</b>	<b>Label</b>	Stainless steel 1.4301
<b>18</b>	<b>Gland flange</b>	Stainless steel 1.4301
<b>19</b>	<b>Gland</b>	Graphite
<b>20</b>	<b>Washer</b>	Stainless steel A4
<b>21</b>	<b>Nut</b>	Stainless steel A4
<b>22</b>	<b>Washer</b>	Stainless steel A4
<b>23</b>	<b>Bolt</b>	Stainless steel A4
<b>24</b>	<b>Bolt</b>	Stainless steel A4
<b>25</b>	<b>Bolt</b>	Stainless steel A4
<b>26</b>	<b>Washer</b>	Stainless steel A4
<b>27</b>	<b>Nut</b>	Stainless steel A4
<b>28</b>	<b>Label</b>	Stainless steel 1.4301
<b>29</b>	<b>Rivet</b>	Stainless steel A4
<b>30</b>	<b>Bolt</b>	Stainless steel A4

**Working pressure max.**  
DN80- DN125 50 bar  
DN150- DN200 40 bar  
DN250- DN500 25 bar

**Temperature rating**  
Body - Stainless steel  
1.4408 / 1.4401  
-60 °C do 500 °C

**Temperature rating**  
Body - Carbon steel  
1.0625 / 1.0425  
-29 °C do 425 °C

**Temperature rating**  
Body - Carbon steel  
1.0625 / 1.0425  
-29 °C do 425 °C

Other material performance upon request. To select a suitable material performance, please contact company ABO valve. Maximum temperatures for individual seals are only permitted for specific media and short-term use.

\*) for nominal size DN80-DN125 is valid:  
6s - 1.0566 + stellite  
5s - 1.0425 + stellite  
4s - 1.4401 + stellite

\*\*) design 4s, 5s, 6s - with stellite in the body

### Operating torques (Nm) vs. working pressure (bar) Opening torques

DN	80	100	125	150	200	250	300	350	400	500
NPS	3"	4"	5"	6"	8"	10"	12"	14"	16"	20"
<b>P<sub>MAX</sub> 10 bar</b>	35	65	85	110	280	283	600	1100	1600	2490
<b>P<sub>MAX</sub> 16 bar</b>	42	70	95	140	330	418	900	1500	2270	4100
<b>P<sub>MAX</sub> 20 bar</b>	57	70	110	190	370	460	1030	1900	2430	5200
<b>P<sub>MAX</sub> 25 bar</b>	70	85	130	210	490	656	1150	2500	3100	6500
<b>P<sub>MAX</sub> 30 bar</b>	85	100	150	261	530	-	-	-	-	-
<b>P<sub>MAX</sub> 40 bar</b>	91	125	170	350	630	-	-	-	-	-
<b>P<sub>MAX</sub> 50 bar</b>	105	150	200	-	-	-	-	-	-	-

Operating torques are mentioned without safety factor.



### Closing torques

DN	80	100	125	150	200	250	300	350	400	500
NPS	3"	4"	5"	6"	8"	10"	12"	14"	16"	20"
<b>Closing torque (water)</b>	84	140	175	220	450	420	400	450	500	1750
<b>Closing torque (air)</b>	84	140	175	220	450	565	550	1000	1300	3590
<b>Max. shaft torque (35Lxx)</b>	183	327	327	635	635	767	1747	2800	5078	9190
<b>Max. shaft torque (34Lxx)</b>	183	327	327	635	635	822	1300	2300	3800	6877

Operating torques are mentioned without safety factor.

### Closing torques

DN	80	100	125	150	200	250	300	350	400	500
NPS	3"	4"	5"	6"	8"	10"	12"	14"	16"	20"
PN10	X							•	•	•
PN16										
PN25										
PN40										
ANSI150										
ANSI300								X	X	•
JIS 10K					•		•	X	•	•
JIS 16K				•				•		•

For the version with threaded holes (T), please specify in the inquiry..

Standard
• Upon request
X Impossible

### Coefficient KV (CV)

DN	150	200	250	300	350	400	500
NPS	6"	8"	10"	12"	14"	16"	20"
<b>KV</b>	1125	1950	2940	4270	5550	7870	11674
<b>CV</b>	1305	2262	3410	4953	6438	9129	13541



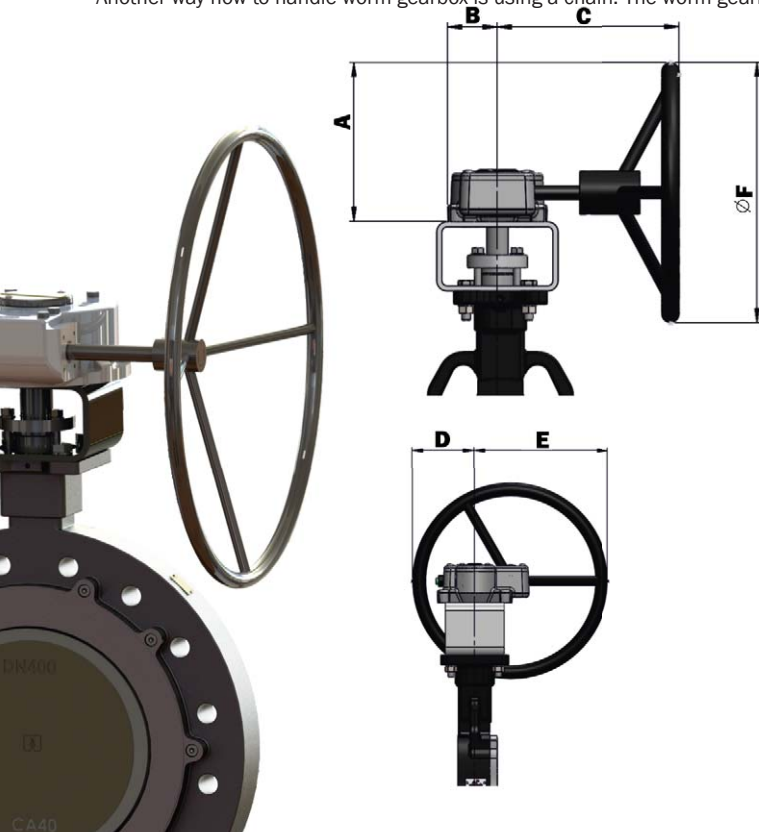
# VALVE ACTUATION

Industrial Valve Manufacturer

All the ABO valves can be equipped with worm drives, pneumatic and electric actuators. The upper flange according to the ISO 5211 international standard enables to directly install a manual handle or an actuator. Thus compatibility between the valve and the actuator is guaranteed.

## Worm gear with handwheel

Manual gearbox housing is made from cast iron with suitable surface treatment and protection degree class IP 67. Self-locking design of the worm gear enables both to adjust basic positions open/shut and to control (throttle) media flow. The worm gearbox is simply actuated by means of a handwheel of a suitable diameter. End-limit positions of the worm gearbox are set by means of stop screws. The gearbox can be equipped with a lockable system secured by a padlock. Another way how to handle worm gearbox is using a chain. The worm gearbox as well as the hand lever can be completed with end-limit position sensors.



DN	A	B	C	D	E	F	Kg
80	127,5	47	138	59	140	200	2,90
100	127,5	47	138	59	140	200	2,90
125	183,5	58	209	95	205	300	5,50
150	183,5	58	209	95	205	300	5,50
200	183,5	58	209	95	205	300	5,50
250	187,5	67	240	81	219	300	7,00
300	241,5	78	265	118	281	400	9,50
350	448	110	346	295,5	504,5	800	26,0
400	455	142,5	386,5	270	530	800	38,0
500	363,3	175	429,4	175	440	500	40,0

Dimensions are mentioned in mm.  
The stated weight is approximate

## Actuators

### Pneumatic actuators

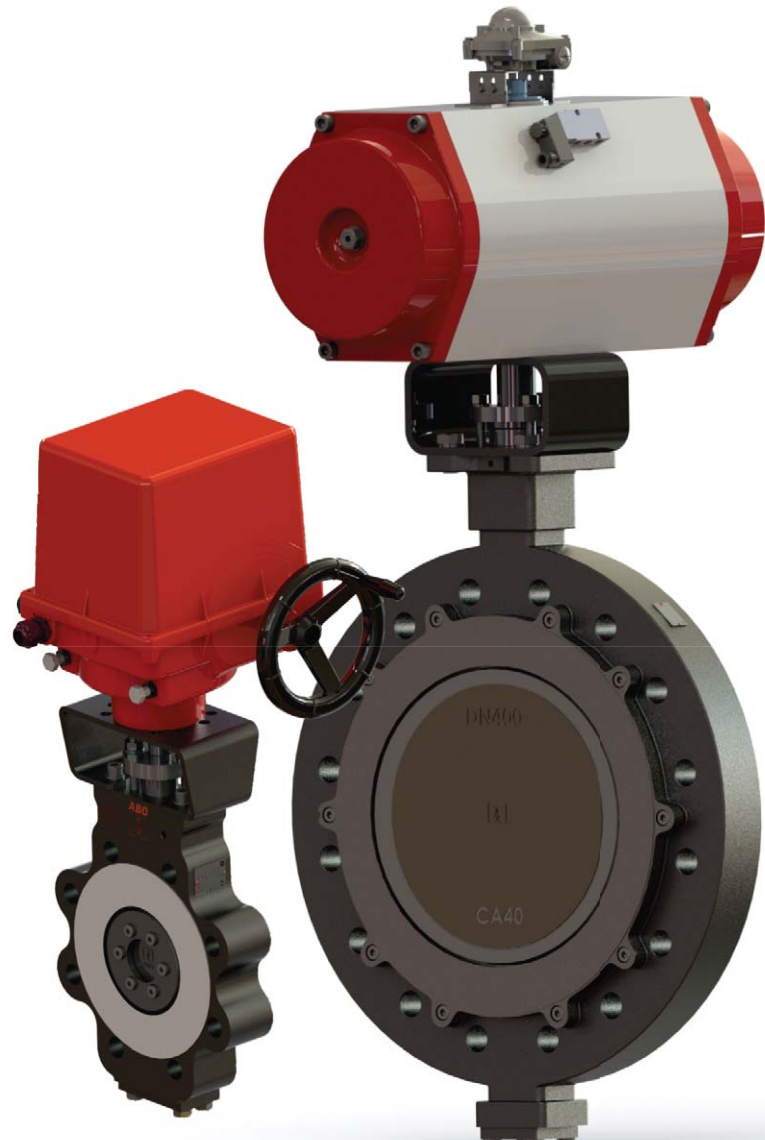
Pneumatic actuators ABO Series 95 can be assembled to valves in two options: single-acting or double-acting.

### Pneumatic actuators

Electric actuators ABO Series 97 are designed quarter-turn. Electric actuators can be installed on ABO valves for voltages of 24 V, 230 V or 400 V.

### Special actuators types

Valves are equipped with special actuator types from major world suppliers (Auma, Regada, Valpes, etc.).

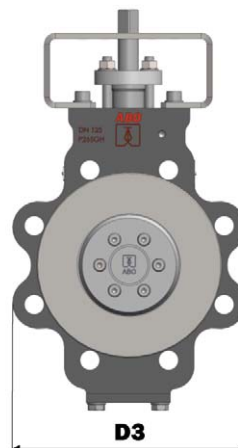
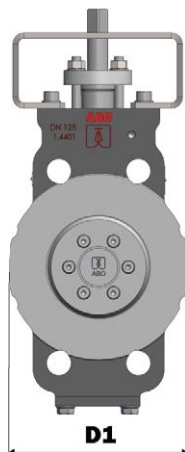
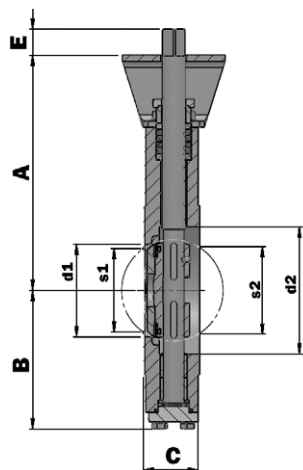




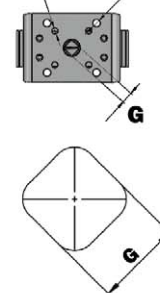
# BASIC DIMENSIONS



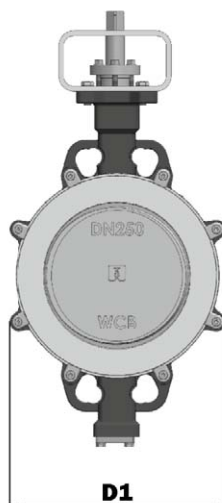
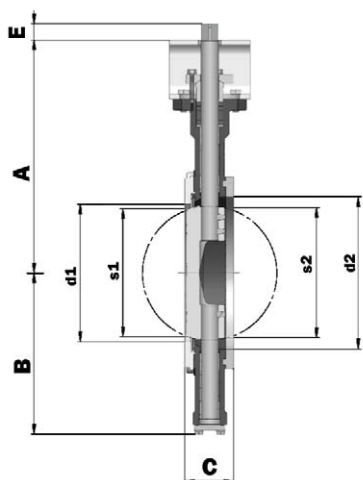
DN80-DN125



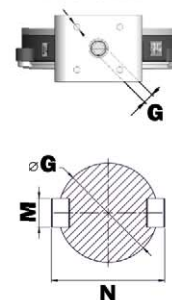
4x $\phi y/\phi b$  ISO 5211  
4x $\phi y2/b2$  ISO 5211



DN150-DN500



4x $\phi y/\phi b$  ISO 5211



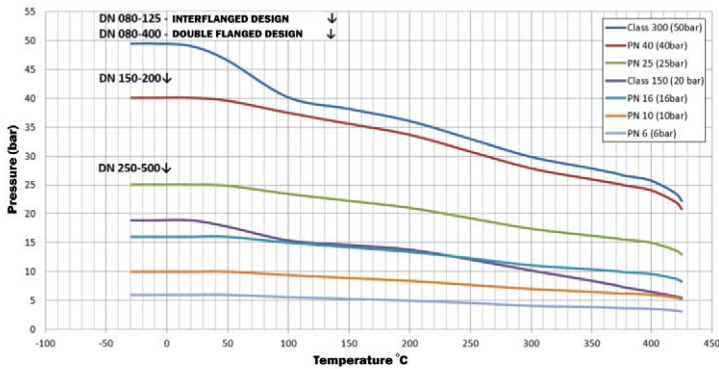
DN	d1	d2	A	B	C	D1	D3	s1	s2	E	G/M/N	ISO FLANGE	y	b	DESIGN B (Kg)	DESIGN B (Kg)
80	77	100	173,5	119,9	47	139,5	193	61	70,8	25	14	F07	9	70	8	15
100	90	123,5	228,5	134,4	53	163	217,6	73	83,2	25	17	F07/10	9/11	70/102	12	15
125	110	146	148	155,2	57	193	250	96	106	25	17	F07/10	9/11	70/102	17	20
150	146	155	307	213,4	57	253	318	136	143	25	17	F10	11	102	21	30
200	194	204	228,5	245,8	61	305	381	185	193	25	17	F10	11	102	28	46
250	238	259	395	274,3	69	349	450	224	236	31	22	F12	13	125	46	70
300	287	309	459,5	312,8	79	393	521	284	284	31	27	F14	17	140	67	105
350	323	342	506	354,9	92	448	577	308	308	45	27	F16	22	165	100	148
400	385	405	556	401	103	542	657	360	360	58	36	F16	22	165	131	200
500	451	502	638	431,5	127	615	730	439	439	110	$\phi 60$ /18/68,4	F16*/F25	18/22	165/254	275	360

Dimensions are mentioned in mm, weight in kg. Additional nominal sizes upon request. DN500, connection F16, only up to 10 bar.

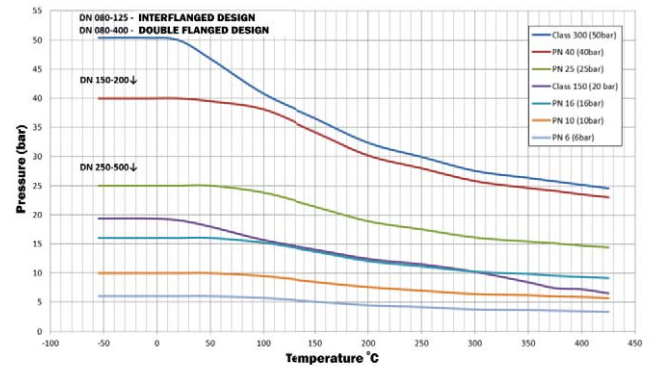
# PRESSURE AND TEMPERATURE CURVES

Industrial Valve Manufacturer

Pressure and temperature curve  
Body: carbon steel 1.0625



Pressure and temperature curve  
Body: stainless steel 1.4408



## DOUBLE FLANGED DESIGN TRIPLE EXCENTRICITY

### Body design

Double flanged body with through holes

### Design performance

Type „F” long face-to-face dimension, Series 13 acc. to ISO 5752-13

### Nominal size

Type „F” DN80 - DN400

### Working pressure

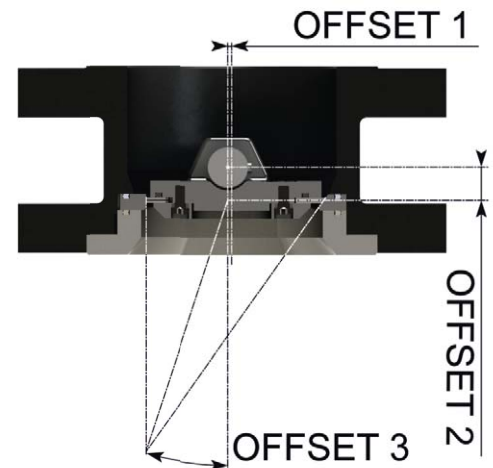
50 bar

### Tightness

EN 12266-1, Class A

### Working temperature

body - Carbon steel 1.0625  
-29 °C / +425 °C  
body - Stainless steel 1.4408  
-60 °C / +500 °C

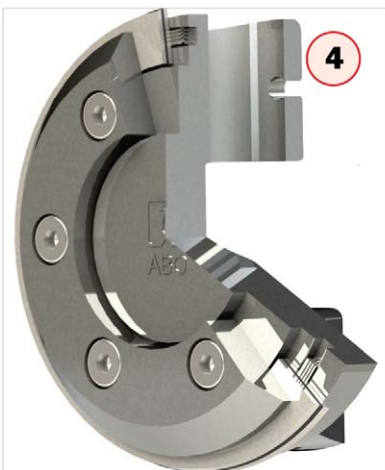
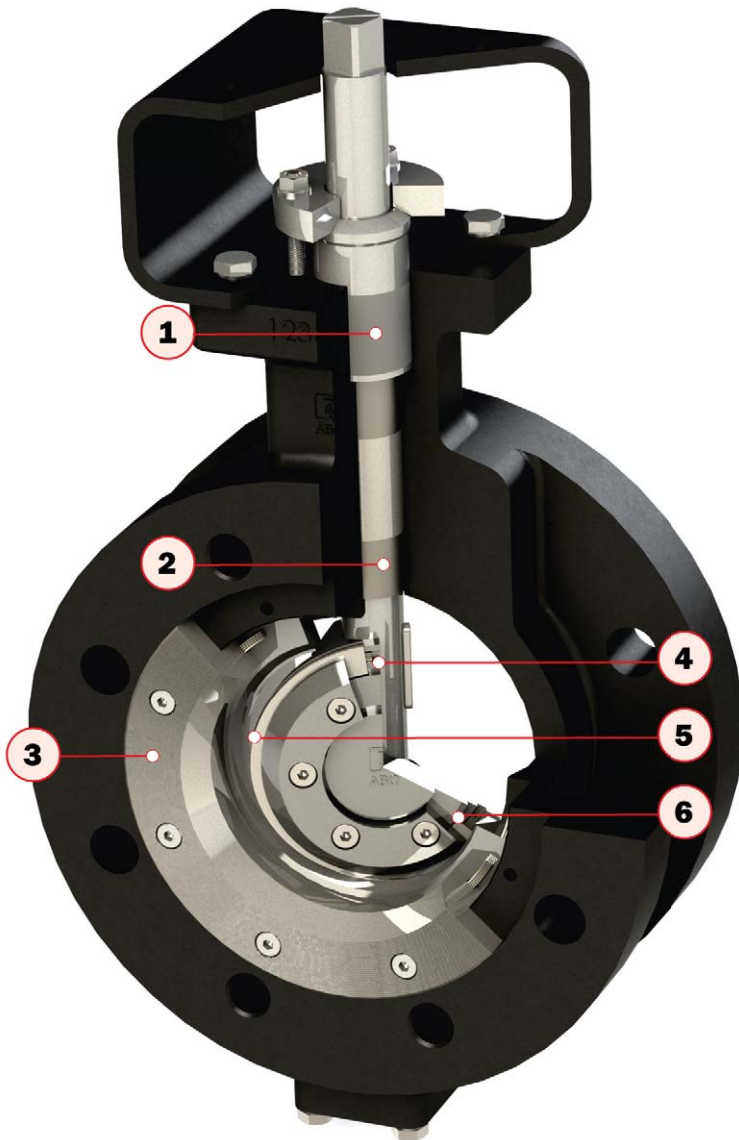


### Triple eccentricity

1. Stem axis offset off the pipeline main axis.
2. Stem axis offset off the seal area.
3. Seat cone axis is off the pipeline main axis.

- the triple eccentricity design contributes to very effective principle of Metal-Metal sealing, which is mainly intended for sealing high parameters of both pressures and temperatures. Properly designed geometry eliminates friction between the seating surfaces of the sealing TRIM, which helps the long lifetime of the valve. The main sealing node consists of a high-precision sealing pair with a special geometry of the offset cone.

# DESIGN ADVANTAGES



## 1. Interchangeable actuators

- standardized upper flange according to ISO 5211 enables to mount manual control or actuators. High valve neck enables to use insulation and to provide thermal protection of handling equipment on the ISO flange (protection of actuators).

## 2. Shaft bearings

- precise production of sliding bushes, including the nickel-plated surface treatment, ensures very precise guidance and position of the valve control shaft

## 3. Seat pressure ring

- the pressure ring ensures the correct position of the seat in the body

## 4. Lamellar seal

- the sealing ring ensuring the tightness of the valve itself is made of individual layers of stainless steel, which are interlaced with a graphite layer

## 5. Disc sealing ring

- a sealing ring combined with a spiral seal, which allows its precise setting toward to the disc and ensures a perfect tightness. Thanks to this design, the laminated sealing ring can be easily replaced at any time.

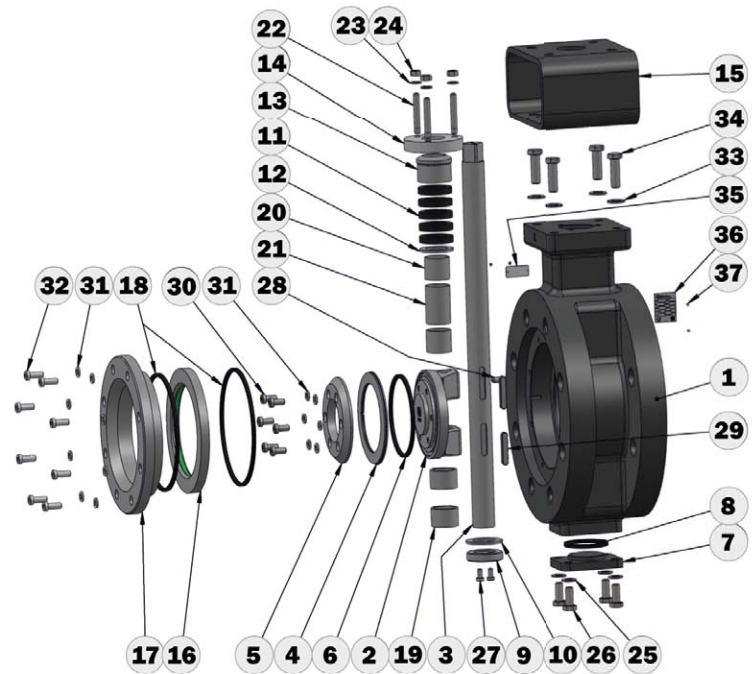
## 6. Replaceable seat

- exchangeable seat in the body can be made of a wide range of materials, which with their mechanical properties help to long lifespan (abrasion resistance)

# MATERIALS / WORKING CONDITIONS

Industrial Valve Manufacturer

Item	Name	Material
1	<b>Body</b>	5 - carbon steel 1.0625 (A216 WCB) + protective coating 4 - stainless steel 1.4408 (A351 CF8M)
2	<b>Disc</b>	4 - stainless steel 1.4408 (A351 CF8M)
3	<b>Shaft</b>	Stainless steel I 1.4021 (AISI 420)
4	<b>sealing ring</b>	Lamellar - stainless steel 1.4401 (AISI 316) + graphite 98%
5	<b>Disc flange</b>	Stainless steel 1.4301 (A351 CF8)
6	<b>Spiral sealing</b>	Stainless steel 1.4541 + graphite
7	<b>Cover</b>	Steel 1.0553
8	<b>Cover sealing</b>	Stainless steel 1.4541 + graphite
9	<b>Stopper</b>	Stainless steel 1.4401 (AISI 316)
10	<b>Distance ring</b>	Stainless steel 1.4404
11	<b>Seal</b>	Graphite
12	<b>Washer</b>	Stainless steel 1.4404
13	<b>Gland casing</b>	Stainless steel 1.4401 (AISI 316)
14	<b>Sealing flange</b>	Stainless steel 1.4301
15	<b>Bracket</b>	Stainless steel 1.0576
16	<b>Seat</b>	Stainless steel 1.4462
17	<b>Pressure ring</b>	Stainless steel 1.4462 + Zinc
18	<b>Spiral sealing</b>	Stainless steel 1.4541 + graphite
19	<b>Sleeve</b>	Stainless steel 1.4404
20	<b>Sleeve</b>	Stainless steel 1.4404 (316L) + Nickel
21	<b>Split sleeve</b>	Stainless steel 1.4404 (316L)
22	<b>Stud bolt</b>	Stainless steel A4
23	<b>Washer</b>	Stainless steel A4
24	<b>Nut</b>	Stainless steel
25	<b>Washer</b>	Stainless steel A4
26	<b>Bolt</b>	Stainless steel A4
27	<b>Bolt</b>	Stainless steel A4
28	<b>Set screw</b>	Stainless steel A2
29	<b>Spring</b>	Stainless steel A4
30	<b>Bolt</b>	Stainless steel A4
31	<b>Wedge lock washer</b>	Stainless steel A4
32	<b>Bolt</b>	Stainless steel A4
33	<b>Washer</b>	Stainless steel A4
34	<b>Bolt</b>	Stainless steel A4
35	<b>Label Delta P</b>	Stainless steel 1.4301 (304)
36	<b>Label</b>	Stainless steel 1.4301 (304)
36	<b>Grooved stud</b>	Steel



## Installation between flanges DN80 - DN400

DN	80	100	125	150	200	250	300	350	400
NPS	3"	4"	5"	6"	8"	10"	12"	14"	16"
PN10									
PN16									
PN25									
PN40									
ANSI150									
ANSI300									
JIS 10K							•	x	x
JIS 16K				•					

Standard    •    Upon request    x    Impossible

**Working pressure max.**  
DN80- DN400    50 bar

**Temperature rating**  
Body - Carbon steel 1.0625  
-29 °C do 425 °C

**Temperature rating**  
Body - Stainless steel 1.4408  
-60 °C do 500 °C

**Coating**  
Black coating Celerol® Decklack  
962-15, min. thickness 60-80 µm  
(another coating upon request)

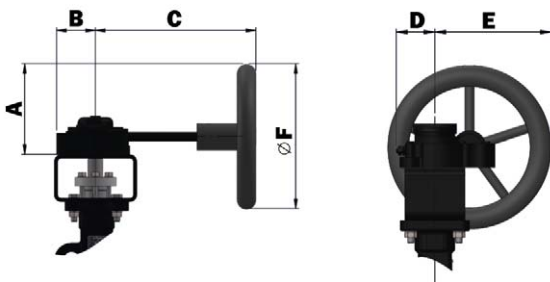
# VALVE ACTUATION / TECHNICAL INFORMATION



All the ABO valves can be equipped with worm drives, pneumatic and electric actuators. The upper flange according to the ISO 5211 international standard enables to directly install a manual handle or an actuator. Thus compatibility between the valve and the actuator is guaranteed.

## Worm gear with handwheel

Manual gearbox housing is made from cast iron with suitable surface treatment and protection degree class IP 67. Self-locking design of the worm gear enables both to adjust basic positions open/shut and to control (throttle) media flow. The worm gearbox is simply actuated by means of a handwheel of a suitable diameter. End-limit positions of the worm gearbox are set by means of stop screws. The gearbox can be equipped with a lockable system secured by a padlock. Another way how to handle worm gearbox is using a chain. The worm gearbox as well as the hand lever can be completed with end-limit position sensors.



DN	A	B	C	D	E	F	Kg
80	127,5	47	138	47,5	140	200	2,90
100	127,5	47	138	47,5	140	200	2,90
125	183,5	58	209	62	202,5	300	5,50
150	183,5	58	209	62	202,5	300	5,50
200	183,5	58	209	62	202,5	300	5,50
250	392	100	305	100	436	700	17
300	398	110	346	110	454,5	700	25
350	505	142,5	397	142,5	580	900	37,5
400	511	146,5	422	142	590	900	49,5

Dimensions are mentioned in mm.  
The stated weight is approximate.

## Actuators

**Pneumatic actuators ABO Series 95** can be assembled to valves in two options: single-acting or double-acting. **Electric actuators ABO Series 97** are designed quarter-turn. Electric actuators can be installed on ABO valves for voltages of 24 V, 230 V or 400 V. Valves can be equipped with **special actuator types** from major world suppliers (Auma, Regada, Valpes, etc.).

## Operating torques (Nm) vs. working pressure (bar)

DN	80	100	125	150	200	250	300	350	400
NPS	3"	4"	5"	6"	8"	10"	12"	14"	16"
<b>p<sub>MAX</sub> 6 bar</b>	28	65	45	120	315	502	789	1195	1687
<b>p<sub>MAX</sub> 10 bar</b>	35	65	45	140	345	585	875	1370	1810
<b>p<sub>MAX</sub> 16 bar</b>	42	70	60	160	451	787	1098	1469	2355
<b>p<sub>MAX</sub> 25 bar</b>	70	85	85	220	520	876	1314	1963	2927
<b>p<sub>MAX</sub> 40 bar</b>	91	125	120	400	713	1251	1918	1689	4310
<b>p<sub>MAX</sub> 50 bar</b>	105	150	140	400	960	1720	2630	3870	5800

Operating torques are mentioned without safety factor

## Closing torques

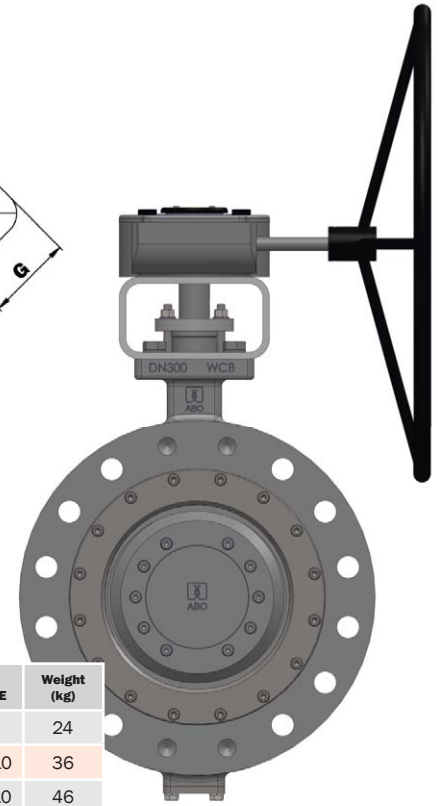
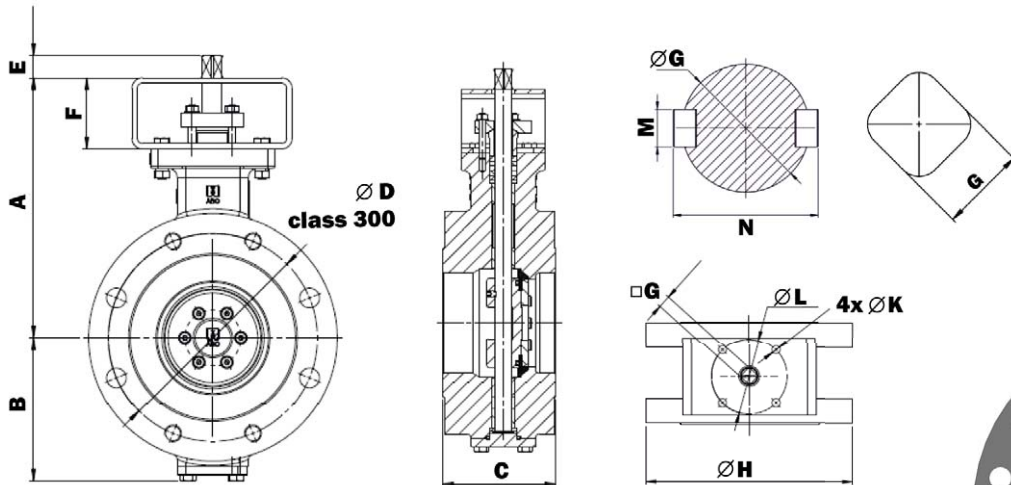
DN	80	100	125	150	200	250	300	350	400
NPS	3"	4"	5"	6"	8"	10"	12"	14"	16"
<b>Closing torque (water)</b>	84	140	175	400	650	950	1300	2640	4160
<b>Closing torque (air)</b>	84	140	175	400	650	950	1300	2640	4160
<b>Max. shaft torque (35Lxx)</b>	183	327	327	635	1182	2184	3367	7086	11412
<b>Max. shaft torque (34Lxx)</b>	183	327	327	476	1182	2184	3367	7286	11412

Operating torques are mentioned without safety factor



# BASIC DIMENSIONS

Industrial Valve Manufacturer



DN	A	B	C	D	E	F	G/M/N	ØH	K	L	ISO FLANGE	Weight (kg)
80	240	126	114	168,1	25	80	14	209,6	11	102	F07	24
100	272	149	127	200	25	80	17	254	11	102	F07/10	36
125	292	161,9	140	235	25	80	17	279,4	11	102	F07/10	46
150	292	194,4	140	235	24	100	22	318	13	125	F07/10	63
200	380	229,5	152	330,2	24	100	22	380	13	125	F12	90,5
250	440	256	165	387,4	31	120	27	445	17	140	F14	127
300	470	300	178	450,8	39	120	36	521	22	165	F16	172,5
350	515	335,5	190	514,4	80	120	$\frac{\text{ø55}}{16/62,6}$	585	22	165	F16	255
400	604	381,5	216	571,5	100	150	$\frac{\text{ø55}}{16/62,6}$	660	18 (8x)	254	25	345

Dimensions are mentioned in mm.

## Czech Republic

**ABO valve, s.r.o.**  
Dalimilova 285/54  
783 35 Olomouc  
tel.: +420 585 224 087  
sales@abovalve.com

## Slovak Republic

**ABO Slovakia, s.r.o.**  
Banská Bystrica  
tel.: +421 947 902 862  
sales.sk@abovalve.com

## Germany

**ABO Armaturen GmbH**  
Essen  
tel.: +49 (0)152 262 29501  
sales.de@abovalve.com

## USA

**ABO Controls LLC**  
Houston  
tel.: +(1) 832.291.4929  
sales.us@abovalve.com

## Ukraine

**ABO Ukraine LLC**  
Dnipro  
tel.: +38 056 733 95 70  
sales.ua@abovalve.com

## Turkey

**ABO Armaturen LTD STI**  
Istanbul  
tel.: +90 216 527 36 34  
sales.tr@abovalve.com

## Russia

**ABO Armatura LLC**  
Smolensk  
tel.: +7 (4812) 240 020  
sales.ru@abovalve.com

## India

**ABO Controls Pvt. Ltd.**  
Mumbai  
tel.: +91 773 820 4779  
sales.in@abovalve.com

## Singapore

**ABO Valve Pte. Ltd.**  
Singapore  
tel.: +65 9169 4562  
sales.sg@abovalve.com

## China

**ABO Flow Control**  
Shanghai  
tel.: +86 136 01 522 831  
sales.cn@abovalve.com

## United Arab Emirates

**Sales representation**  
Abu Dhabi  
tel.: +971 56 9207964  
bharti@abovalve.com

## Bahrain

**Sales representation**  
Manama  
tel.: +973 3444 9065  
jimmichen@abovalve.com



Follow us on:



[www.abovalve.com](http://www.abovalve.com)



The technical information described in this leaflet is tentative and for general use only and does not constitute a recommendation or guarantee for any specific service or application requirement. Please consult ABO representative or factory for specific requirements and material selection for your intended application. The right to change or modify product design or product without prior notice is reserved. ABO valve accepts no liability for damages caused by bad interpretation or use of the information included in this brochure.

Valid from: 2/2023