

# ABO valve

*we make processes work*

## CHECK VALVES

### DUAL PLATE CHECK VALVES SERIES 700

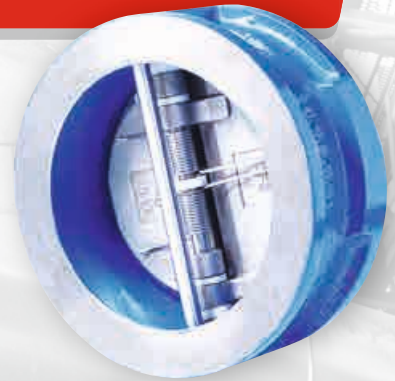
<b>Nominal size</b>	DN50 - DN1200
<b>Working pressure</b>	10 bar / 16 bar
<b>Flange connection</b>	PN10 / PN16
<b>Working temperature</b>	-25 °C / +125 °C
<b>Working media</b>	Pure water / Sewage / Soil water / Thick and viscous liquids

### DUAL PLATE CHECK VALVES SERIES 700 HP

<b>Nominal size</b>	DN50 - DN600
<b>Working pressure</b>	10 bar / 16 bar
<b>Flange connection</b>	PN10 / PN16 / PN25
<b>Working temperature</b>	-25 °C / +125 °C
<b>Working media</b>	Pure water / Waste water / Oil & gas

### SWING CHECK VALVES SERIES 800

<b>Nominal size</b>	DN50 - DN300
<b>Working pressure</b>	10 bar / 16 bar
<b>Flange connection</b>	PN10 / PN16
<b>Working temperature</b>	-25 °C / +125 °C
<b>Working media</b>	Waste water / Pure water / Heating systems / Soil water / Oils / Thick and viscous liquids



# SERIES 700 / 800

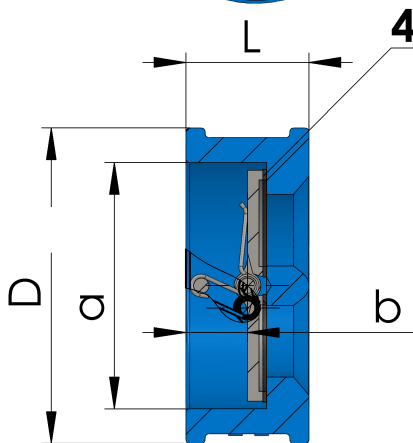
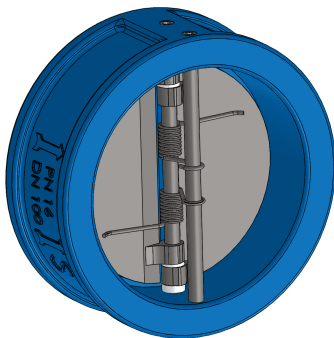
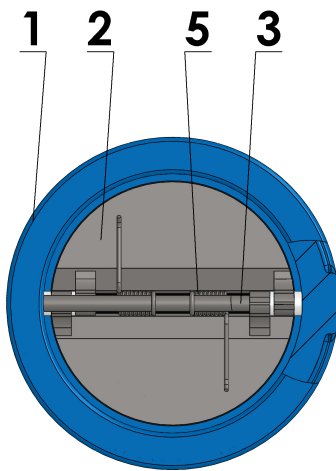
[www.abovalve.com](http://www.abovalve.com)

# DUAL PLATE CHECK VALVES SERIES 700

Czech Industrial Valve Manufacturer

## Basic properties

- compact valve
- preferred vertical installation in the pipeline
- short face to face connection with good hydraulic performance
- mounting between flanges
- low pressure drops during medium flow rate



2 / ABO valve Czech

## Standards

<b>Leak test</b>	ČSN EN 12266-1, Class A ISO 5208, Class A
<b>Face to face length</b>	ČSN EN 558
<b>Flange connection</b>	ČSN EN 6708 EN 1092-1,2
<b>Working standard</b>	EN 12334
<b>Marking</b>	EN19

## Material performance

<b>1</b>	<b>Body</b>	Ductile iron 0.7040 (GGG40)
<b>2</b>	<b>Disc</b>	Stainless steel 1.4308 (CF8)
<b>3</b>	<b>Stem</b>	Stainless steel 1.4301 (AISI 304)
<b>4</b>	<b>Seat</b>	NBR (-10 °C / +100 °C) EPDM (-25 °C / 125 °C)
<b>5</b>	<b>Spring</b>	Stainless steel 1.4301 (AISI 304)

## Basic dimensions

DN		L	PN10	PN16	a	b	r	kg
mm	inch		D	D				
50	2"	43	107		46	7,6	28,8	1,5
65	2"1/2	46	127		58	12,9	33	2,4
80	3"	64	142		66	14	40	3,8
100	4"	64	162		94	23	53,1	4,7
125	5"	70	192		120	32,8	65,7	6,3
150	6"	76	218		144,6	42,6	78,6	9,3
200	8"	89	273		198	67,4	104,4	15,2
250	10"	114	328		244	72	127	26
300	12"	114	378	388	283,9	100	148,3	40,7
350	14"	127	438	444	333	121	172,5	55
400	16"	140	489	495	381	136,8	197,5	75
450	18"	152	539	555	420	147,7	217,8	118
500	20"	152	594	617	475,3	179,5	244,6	173
600	24"	178	695	734	585	220	301,5	200
700	28"	229	810	804	690	250	352	260
800	32"	241	917	911	780	290	395	340
900	36"	241	1017	1011	850	332	445	520
1000	40"	300	1124	1128	940	332	483	760
1200	48"	350	1341	1342	1150	442	601	1200

Dimensions are mentioned in mm.

# DUAL PLATE CHECK VALVES SERIES 700 HP



## Basic properties

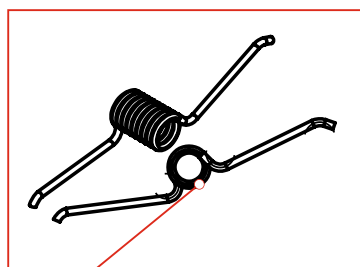
- max. operating pressure up to 24 bar
- high-performance dual plate check valve
- long-life and trouble-free maintenance
- compact design
- light weight thus easier handling and self supporting
- no external devices requirement
- same valve can be installed vertically or horizontally



## Standards

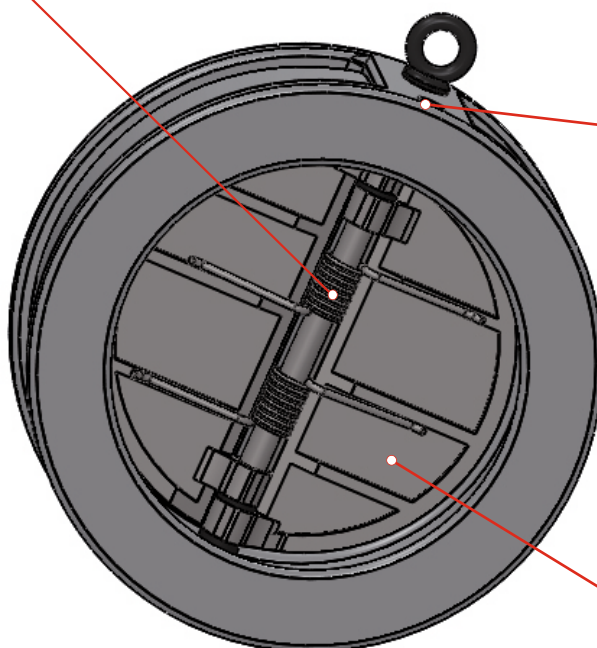
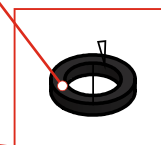
<b>Leak test</b>	ČSN EN 12266-1, Class A *) ISO 5208, Class A API 598, Table 5
<b>Face to face length</b>	API 594
<b>Flange connection</b>	ASME B16.5
<b>Working standard</b>	ASME B16.34
<b>Marking</b>	EN19

\*) for tightness rate A, please consult with manufacturer

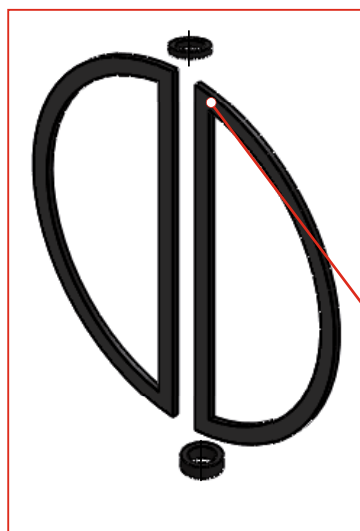


Spring loading on the plate assists valve closing ensure tight seal and minimize slamming.

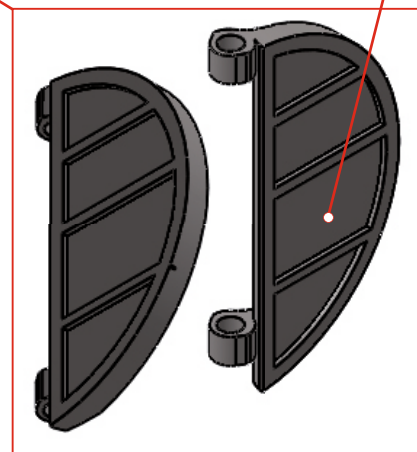
Pin retaining plugs fitted with graphite gasket for riresafe and leak free seal.



Dual plate design minimized valve cracking pressure and reduced valve pressure drops.



Dual plate design minimized valve cracking pressure and reduced valve pressure drops.

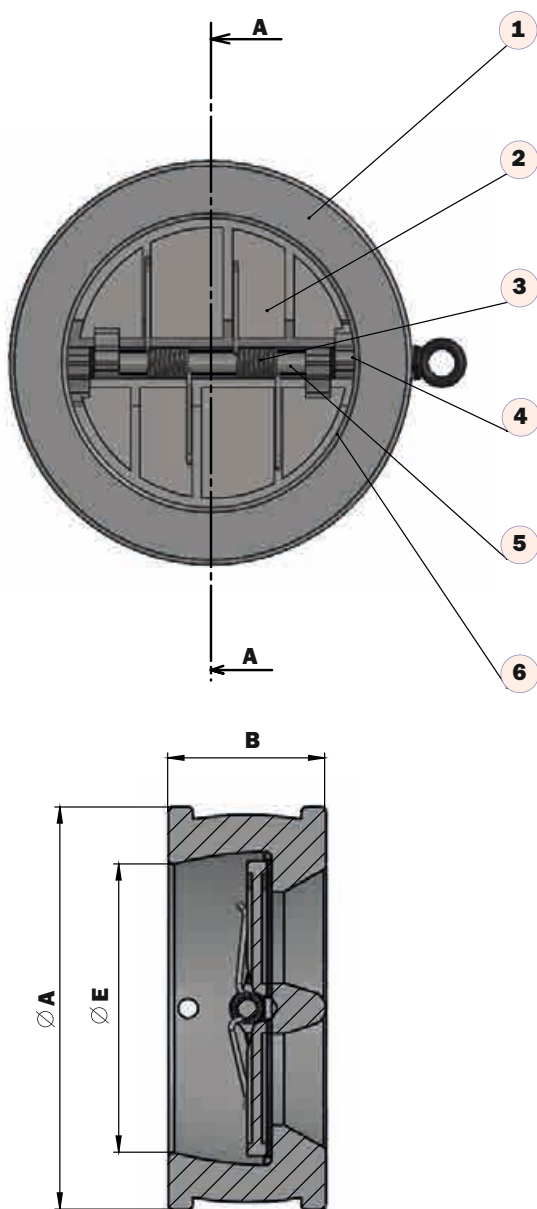


# DUAL PLATE CHECK VALVES SERIES 700 HP

Czech Industrial Valve Manufacturer

## Material performance

<b>1</b>	<b>Body</b>	ASTM B148 C95800
<b>2</b>	<b>Disc</b>	ASTM B148 C95800
<b>3</b>	<b>Spring</b>	Inconel X750
<b>4</b>	<b>Bearing</b>	ASTM B148 C95800
<b>5</b>	<b>Stem</b>	Monel 400
<b>6</b>	<b>Seat</b>	Lintegral



## Basic dimensions

DN		A	B	E	Kg
mm	inch				
50	2"	104	60	40	2,5
65	2"1/2	123	66	60	3
80	3"	136	73	75	4
100	4"	174	73	90	6,5
125	5"	197	85	120	10
150	6"	222	98	145	12
200	8"	279	127	175	25
250	10"	339	146	240	32
300	12"	409	181	295	57
350	14"	450	184	350	85
400	16"	514	191	380	128
450	18"	549	203	425	131
500	20"	606	219	495	198
600	24"	717	222	590	260

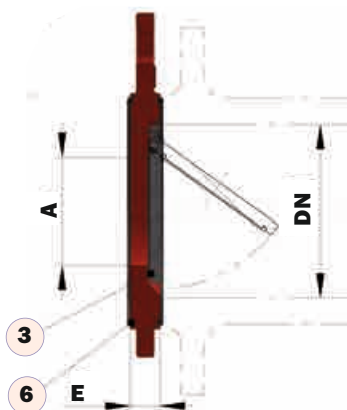
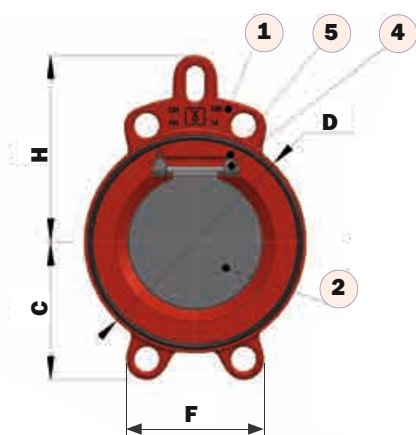
Dimensions are mentioned in mm.

# SWING CHECK VALVES SERIES 800



## Basic properties

- simple design and easy assembly
- direct installation between DIN flanges
- short construction length
- low weight, easy manipulation



## Standards

<b>Leak test</b>	ČSN EN 12266-1, Class A ISO 5208, Class A
<b>Flange connection</b>	EN ISO 6708 EN 1092-1,2
<b>Working standard</b>	EN 12334
<b>Marking</b>	EN19

## Material performance

<b>1</b>	<b>Body</b>	Ductile iron 0.7040 (GGG40)
<b>2</b>	<b>Disc</b>	Stainless steel 1.4308 (CF8)
<b>3</b>	<b>Seat</b>	NBR (-10 °C / +100 °C) - marking 814 EPDM (-25 °C / 125 °C) - marking 824
<b>4</b>	<b>Holder</b>	Stainless steel 1.4308 (CF8)
<b>5</b>	<b>Bolt</b>	Stainless steel 1.4301 (AISI 304)
<b>6</b>	<b>Flange sealing</b>	Elastomer

Special seats - Viton / Silicon - upon request.

## Basic dimensions

DN		A	C	D	E	F	H	Kg
mm	inch							
50	2"	22	64	99	18	130	125	1,3
65	2"1/2	38	72	118	20	142	135	1,8
80	3"	44	93	132	20	150	142	2,3
100	4"	70	107	158	20	112	157	2,6
125	5"	95	119	184	22	120	169	3,5
150	6"	114	133	212	22	137	185	4,5
200	8"	140	166	268	22	159	214	7
250	10"	185	198	319	29	141	246	12
300	12"	216	234	370	38	162	284	21,5

Dimensions are mentioned in mm.

# CONTACT US

Czech Industrial Valve Manufacturer



Valid since: 08/2021

## Czech Republic

**ABO valve, s.r.o.**  
Dalimilova 285/54  
783 35 Olomouc  
tel.: +420 585 224 087  
sales@abovalve.com

## Slovak Republic

**ABO Slovakia, s.r.o.**  
Banská Bystrica  
tel.: +421 947 902 862  
sales.sk@abovalve.com

## Germany

**ABO Armaturen GmbH**  
Essen  
tel.: +49 (0)152 262 29501  
sales.de@abovalve.com

## Ukraine

**ABO Ukraine LLC** Dnipro  
tel.: +38 056 733 95 70  
sales.ua@abovalve.com

## Turkey

**ABO Armaturen LTD STI**  
Istanbul  
tel.: +90 216 527 36 34  
sales.tr@abovalve.com

## China

**ABO Flow Control**  
Shanghai  
tel.: +86 136 01 522 831  
sales.cn@abovalve.com

## India

**ABO Controls Pvt. Ltd.**  
Mumbai  
tel.: +91 773 820 4779  
sales.in@abovalve.com

## Singapore

**ABO Valve Pte. Ltd.**  
Singapore  
tel.: +65 9169 4562  
sales.sg@abovalve.com

## USA

**ABO Controls LLC**  
Houston  
tel.: +(1) 832.291.4929  
sales.us@abovalve.com

## United Arab Emirates

**Sales representation**  
Abu Dhabi  
tel.: +971 56 9207964  
bharti@abovalve.com

## Bahrain

**Sales representation**  
Manama  
tel.: +973 3444 9065  
jimmichen@abovalve.com



Follow us on:



[www.abovalve.com](http://www.abovalve.com)



The technical information described in this leaflet is tentative and for general use only and does not constitute a recommendation or guarantee for any specific service or application requirement. Please consult ABO representative or factory for specific requirements and material selection for your intended application. The right to change or modify product design or product without prior notice is reserved. ABO valve accepts no liability for damages caused by bad interpretation or use of the information included in this brochure.